

OSI THREE-PHASE AC RMS VOLTAGE TRANSDUCER MODEL 3VTR-

3-IN-1 AC RMS VOLTAGE TRANSDUCER 0.25% ACCURACY

FEATURES

- Accurate measurement of the **true RMS** value of input voltage over a wide frequency range.
- Input/Output dielectric test of 2500V.

5 YEAR WARRANTY

APPLICATIONS

- For use in applications where measurement of nonsinusoidal waveforms is required.
- Designed for use in three-phase systems, but may also be used to monitor three single-phase circuits where panel space is at a premium.



MODEL SELECTION

INPUT AC VOLTS	STANDARD OUTPUTS MODEL 3VTR-			
	0-1mAdc	0-10Vdc	4-20mAdc	0-5Vdc
0-150	001B	001D	001E	001X5
0-300	002B	002D	002E	002X5
0-600	004B	004D	004E	004X5

ORDERING INFORMATION

Example: 120Vac Input with
a 0-10Vdc Output.
3VTR-001D

SPECIFICATIONS

INPUT

Voltage See Table
 Frequency Range 48-420Hz
 Burden (Each input)
 150Vac models 0.4VA @ F.S.
 300Vac models 0.4VA @ F.S.
 600Vac models 0.4VA @ F.S.
 Overload F.S. Rating

OUTPUT

Response Time (to 90% F.S.) 100ms
 Loading
 "B" models (0-1mAdc) 0-10kΩ
 "D", "X5" models (0-5Vdc, 0-10Vdc) 2kΩ min.
 "E" models (4-20mA) 0-500Ω
 Field Adjustable Cal. ±10%

INSTRUMENT POWER

All units require 85-265Vac, 48-420Hz, 5VA or 110-370Vdc, 5VA.

DIELECTRIC TEST

Input/Output/Case 2200Vac

ACCURACY ±0.25% F.S. @60Hz
 (Includes effects of linearity and setpoint from 10-100% of range.
 ±0.5% F.S. typical over frequency range.)

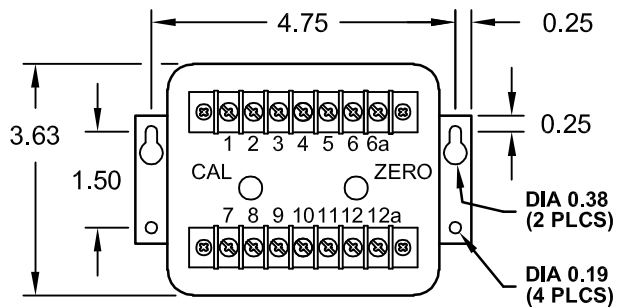
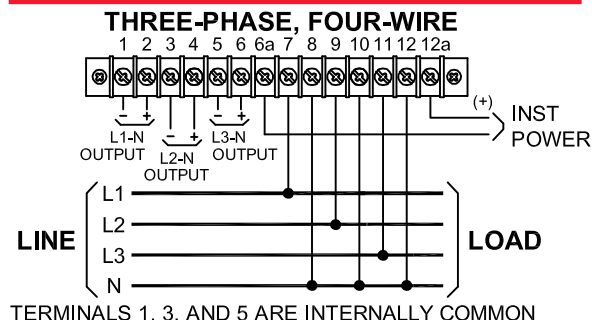
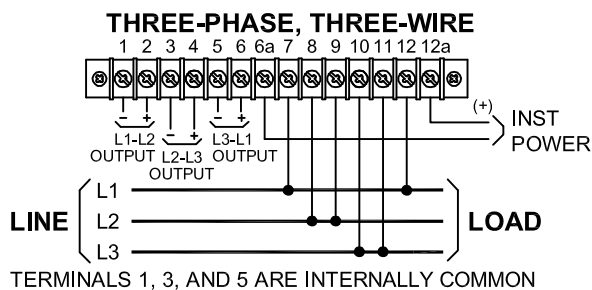
Output Ripple <1.0% F.S.

TEMPERATURE & PHYSICAL

Temperature Effect (-20°C to +60°C) ±1.0% Rdg.

Net Weight 2.5 lbs

CONNECTION DIAGRAMS AND CASE DIMENSIONS



**CASE HEIGHT 6.63"
2.5 LBS**

- NOTES:
 1. ALL DIMENSIONS IN INCHES.
 2. ALL UNITS HAVE UNIVERSAL POWER SUPPLY 85-265Vac, 48-420Hz OR 110-370Vdc.

Dwg# 0902-00868-B Rev B

OHIO SEMITRONICS, INC.

4242 REYNOLDS DRIVE * HILLIARD, OHIO * 43026-1264
 PHONE: (614) 777-1005 * FAX: (614) 777-4511
WWW.OHIOSEMITRONICS.COM * 1-800-537-6732